

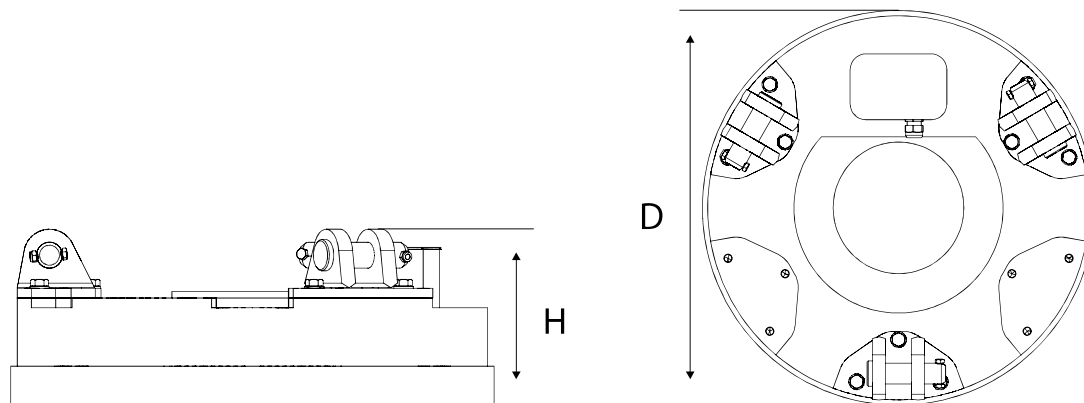
DATA SHEET

MAG LIFTING MAGNET



| | | |
|------------------|------------------|------------------|
| MAG 700UL | MAG1200L | MAG 1600M |
| MAG 900L | MAG 1400L | MAG 1600H |
| MAG 1000M | MAG 1500H | MAG 1800H |

DIMENSIONS



| MODEL | DIMENSIONS, mm (in) | | WEIGHT |
|-------------------|---------------------|------------|-------------|
| | ØD | H | kg (lbs) |
| MAG 700 UL | 750 (29.5) | 215 (8.5) | 290 (638) |
| MAG 900 L | 960 (37.8) | 280 (11.0) | 650 (1430) |
| MAG 1000 L | 1050 (41.3) | 300 (11.8) | 850 (1760) |
| MAG 1200 L | 1260 (49.6) | 305 (12.0) | 1100 (2420) |
| MAG 1400 L | 1400 (57.1) | 285 (11.2) | 1400 (3080) |
| MAG 1500 H | 1550 (61.0) | 390 (15.4) | 2950 (6420) |
| MAG 1600 M | 1650 (65.0) | 365 (14.4) | 3300 (7260) |
| MAG 1600 H | 1670 (65.7) | 420 (16.5) | 3850 (8470) |
| MAG 1800 H | 1840 (72.4) | 450 (17.7) | 4350 (9570) |

TECHNICAL SPECIFICATIONS

| | | MAG 700 UL | MAG 900 L | MAG 1000 M | MAG 1200 L |
|---|-----------------|-----------------|------------------|------------------|------------------|
| OUTPUT CHARACTERISTICS | | | | | |
| Magnet coil power max. | KW | 3,0 | 4,9 | 5,5 | 9,0 |
| Operating voltage | VDC | 220±5% | | | |
| Magnet coils allowed resistance (20 °C) | Ohm | 16.1 ± 5% | 9.9 ± 5% | 8.8 ± 5% | 5,4 ± 5% |
| Efficient duty rating | ED% | 60 | 60 | 60 | 60 |
| NOMINAL LIFTING CAPACITY | | | | | |
| Tear-off w/ air gap Ø/300 | kg (lbs) | 5500 (12100) | 10500 (23100) | 16000 (35200) | 15000 (33000) |
| Slabs, blocks | kg (lbs) | 2700 (5490) | 5250 (11550) | 8000 (17600) | 7500 (16500) |
| Cast iron pigs | kg (lbs) | 105 (231) | 230 (506) | 350 (770) | 410 (902) |
| Scrap, kg (lbs) | grade 3A | 80 (176) | 200 (440) | 320 (704) | 370 (814) |
| | grade 24 | 70 (154) | 190 (418) | 290 (638) | 360 (792) |
| | grade 40 | 40 (88) | 100 (220) | 150 (330) | 190 (418) |
| | | | | | |

| | | MAG 1400 L | MAG 1500 H | MAG 1600 M | MAG 1600 H | MAG 1800 H |
|---|-----------------|------------------|------------------|------------------|-------------------|-------------------|
| OUTPUT CHARACTERISTICS | | | | | | |
| Magnet coil power max. | KW | 10,0 | 12,5 | 15,0 | 16,0 | 20,0 |
| Operating voltage | VDC | 220±5% | | | | |
| Magnet coils allowed resistance (20 °C) | Ohm | 4.8 ± 5% | 3.9 ± 5% | 3.2 ± 5% | 3.0 ± 5% | 2.4 ± 5% |
| Efficient duty rating | ED% | 60 | 60 | 60 | 60 | 60 |
| NOMINAL LIFTING CAPACITY | | | | | | |
| Tear-off w/ air gap Ø/300 | kg (lbs) | 18000 (74800) | 42000 (92400) | 44000 (96800) | 51500 (113300) | 70000 (154000) |
| Slabs, blocks | kg (lbs) | 9000 (20900) | 21000 (46200) | 22000 (48400) | 27500 (60500) | 35000 (77000) |
| Cast iron pigs | kg (lbs) | 580 (2420) | 1450 (3190) | 1330 (2920) | 1650 (3630) | 2150 (4730) |
| Scrap, kg (lbs) | grade 3A | 530 (1160) | 1300 (2860) | 1220 (2680) | 1500 (3300) | 2000 (4400) |
| | grade 24 | 510 (1120) | 1200 (2640) | 1150 (2530) | 1400 (3080) | 1800 (3960) |
| | grade 40 | 240 (530) | 600 (1320) | 580 (1270) | 700 (1540) | 900 (1980) |
| | | | | | | |

Other options i.e. rectangular and other shapes of magnets available by request.