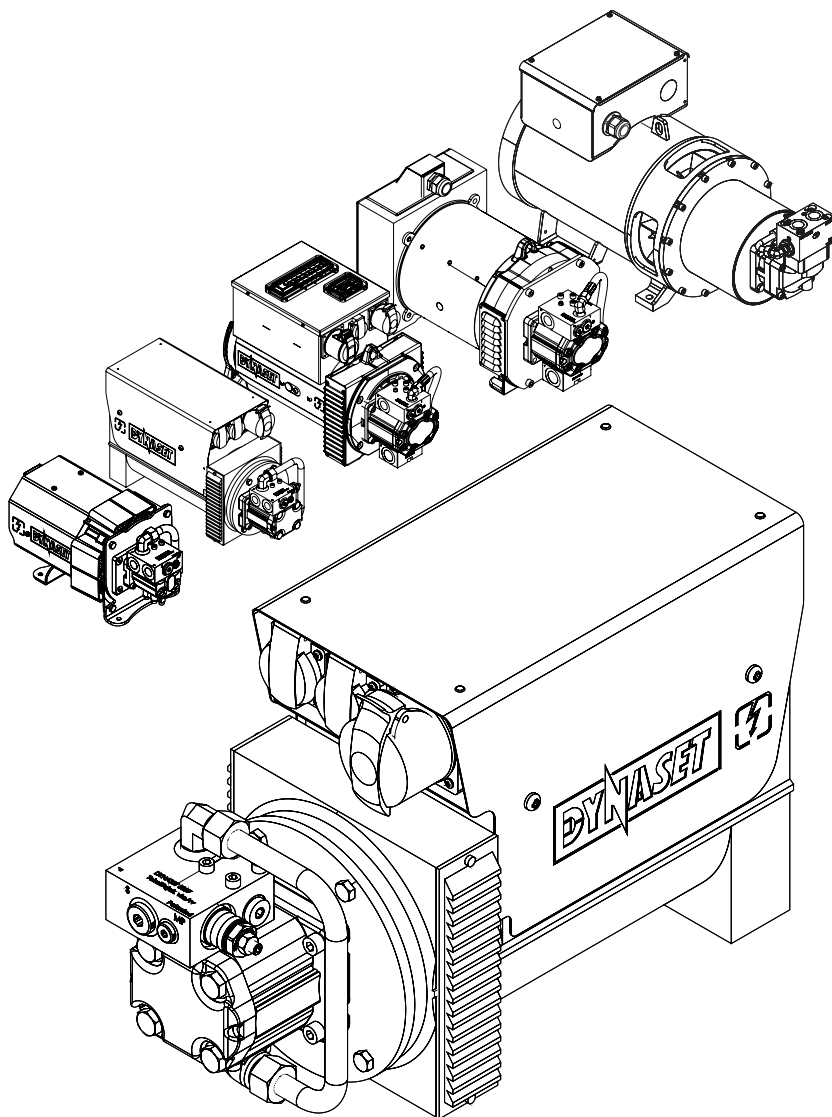


# DYNASET

POWERED BY HYDRAULICS



**Super Compact**

## DATA SHEET

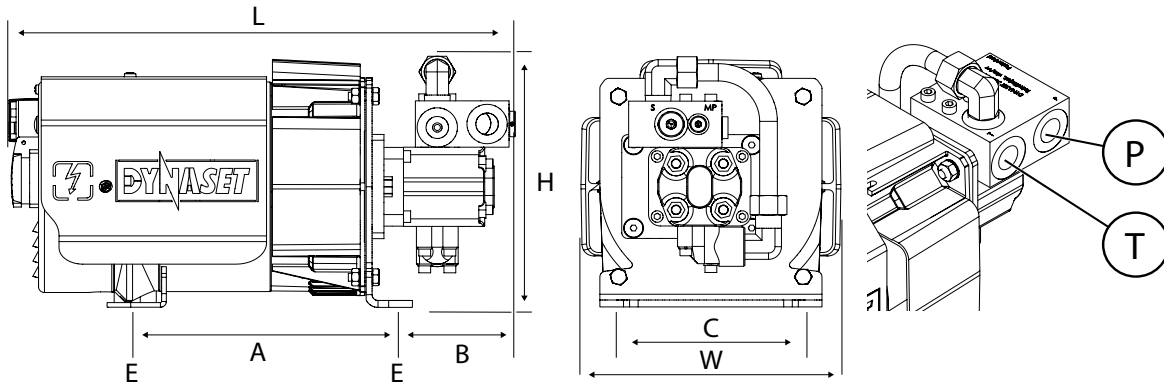
HG HYDRAULIC GENERATOR // 50HZ



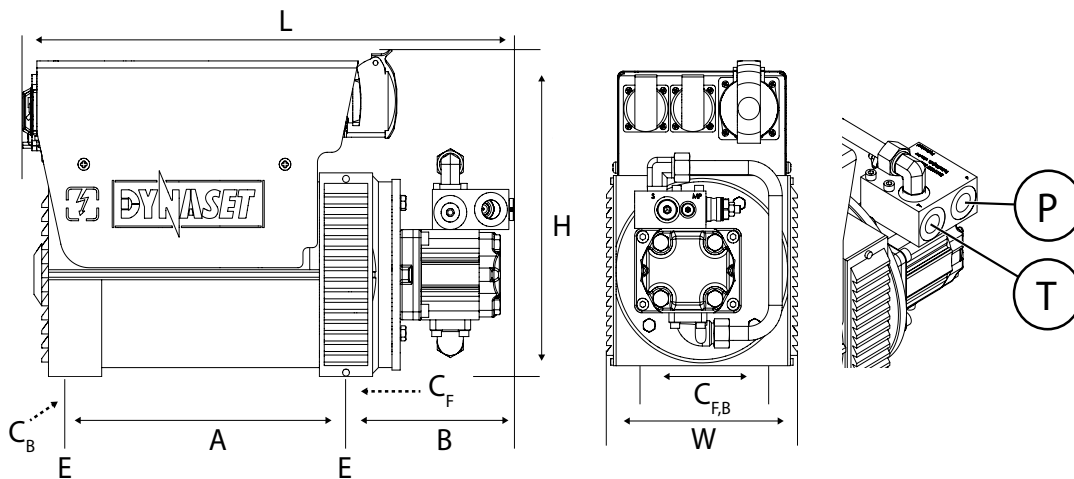
HG3,5S	HG10E	HG26G	HG65C
HG5S	HG12F	HG36G	HG80C
HG6,5E	HG19F	HG45C	

### 50HZ IP23 SUPER COMPACT MODELS

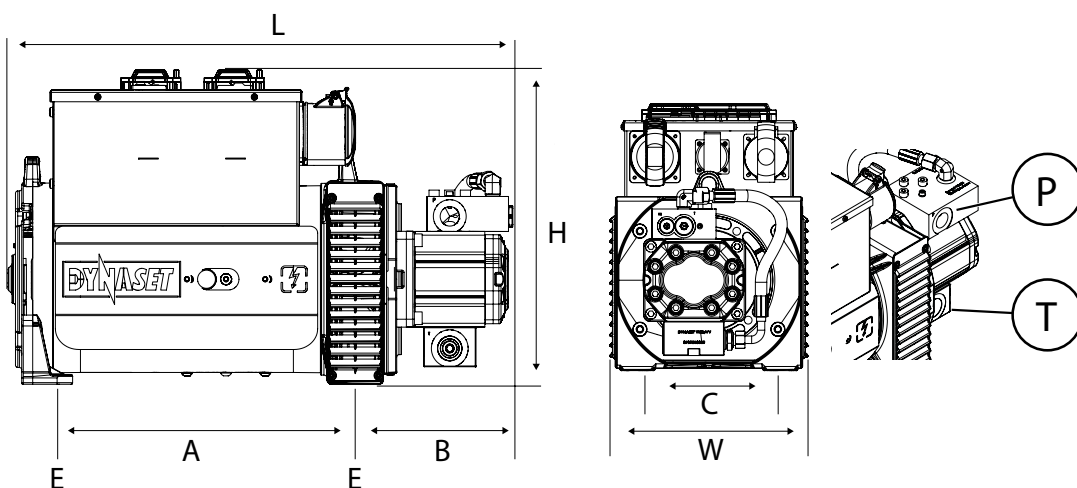
#### HG3,5S , HG5S



#### HG6,5E , HG10E , HG12F



#### HG19F



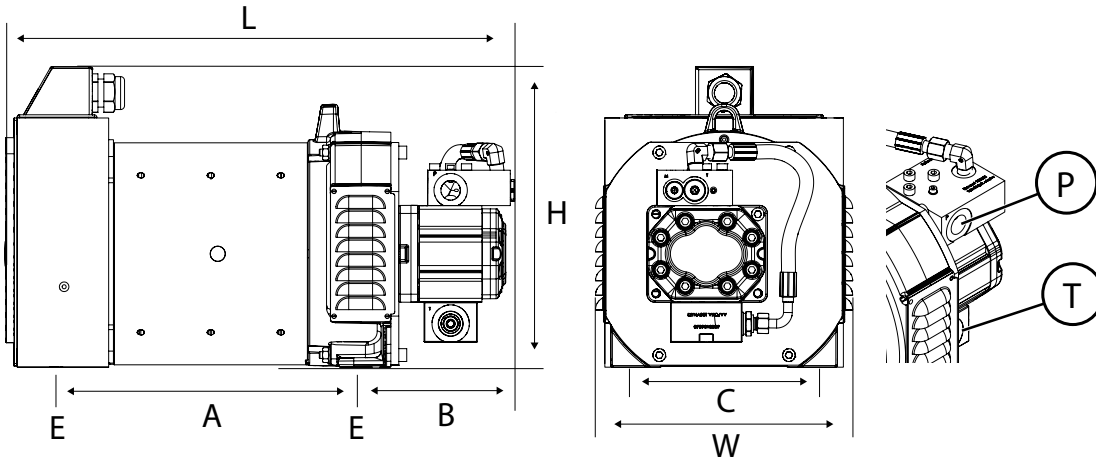
### DIMENSIONS & HYDRAULIC PORTS

MODEL	DIMENSIONS, mm (in)								WEIGHT kg (lbs)
	L	W	H	A	B	C	D	E	
HG3,5S-E230SE23-15-VF	423 (16.7)	220 (8.7)	217 (8.55)	224,5 (8.85)	99 (3.9)	150 (5.9) "	-	Ø9 (0.4)	24 (53)
HG5S-E230SE23-21-VF	461 (18.1)	212 (8.3)	230 (9.0)	250 (9.8)	96 (3.8)	150 (5.9)	-	Ø9 (0.4)	29 (64)
HG6,5E-E400SS23-34-VF	508 (20)	212 (8.4)	326 (12.9)	282 (11.1)	178 (7.0)	F 160 (6.3) / R 110 (4.3)	-	Ø12 (0.5)	43 (95)
HG10E-E400SS23-49-VF	567 (22.3)	212 (8.4)	326 (12.9)	338 (13.3)	178 (7.0)	F 160 (6.3) / R 110 (4.3)	-	Ø12 (0.5)	57 (126)
HG12F-E400SS23-54-VF	587 (23.1)	290 (11.45)	352 (13.9)	345 (13.6)	184 (7.3)	200 (7.9)	-	Ø12 (0.5)	60 (132)
HG19F-E400SS23-63-VF	638 (25.1)	293 (11.5)	395 (15.6) / *331 (13)	390 (15.4)	185 (7.3)	220 (8.7)	-	Ø12 (0.5)	105 (231)
HG19F-E400SS23-79-VF	645 (25.4)	293 (11.5)	395 (15.6) / *331 (13)	390 (15.4)	193 (7.6)	220 (8.7)	-	Ø12 (0.5)	105 (231)

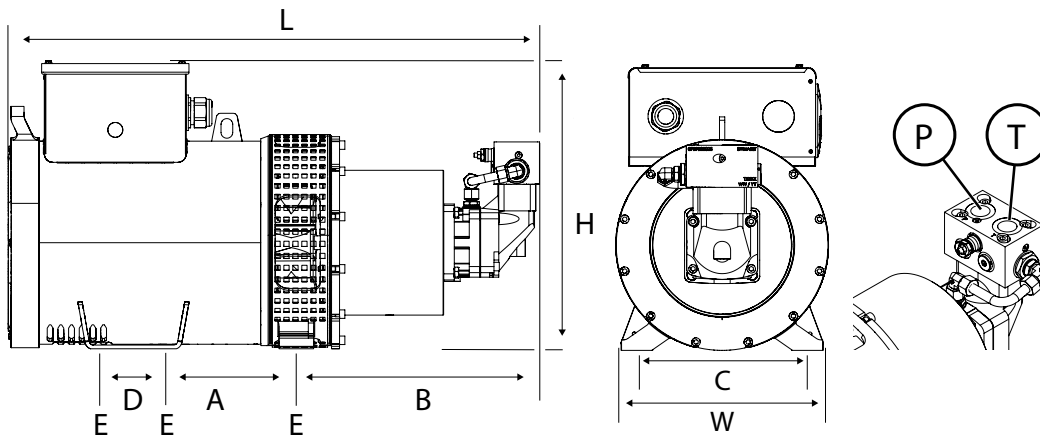
\* Cable model

MODEL	PRESSURE LINE	RETURN LINE
	P	T
HG3,5S-E230SE23-15-VF	BSP 1/2"	BSP 1/2"
HG5S-E230SE23-21-VF	BSP 1/2"	BSP 1/2"
HG6,5E-E400SS23-34-VF	BSP 1/2"	BSP 1/2"
HG10E-E400SS23-49-VF	BSP 1/2"	BSP 1/2"
HG12F-E400SS23-54-VF	BSP 1/2"	BSP 1/2"
HG19F-E400SS23-63-VF	BSP 1/2"	BSP 1/2"
HG19F-E400SS23-79-VF	BSP 3/4"	BSP 1"

### HG26G, HG35G



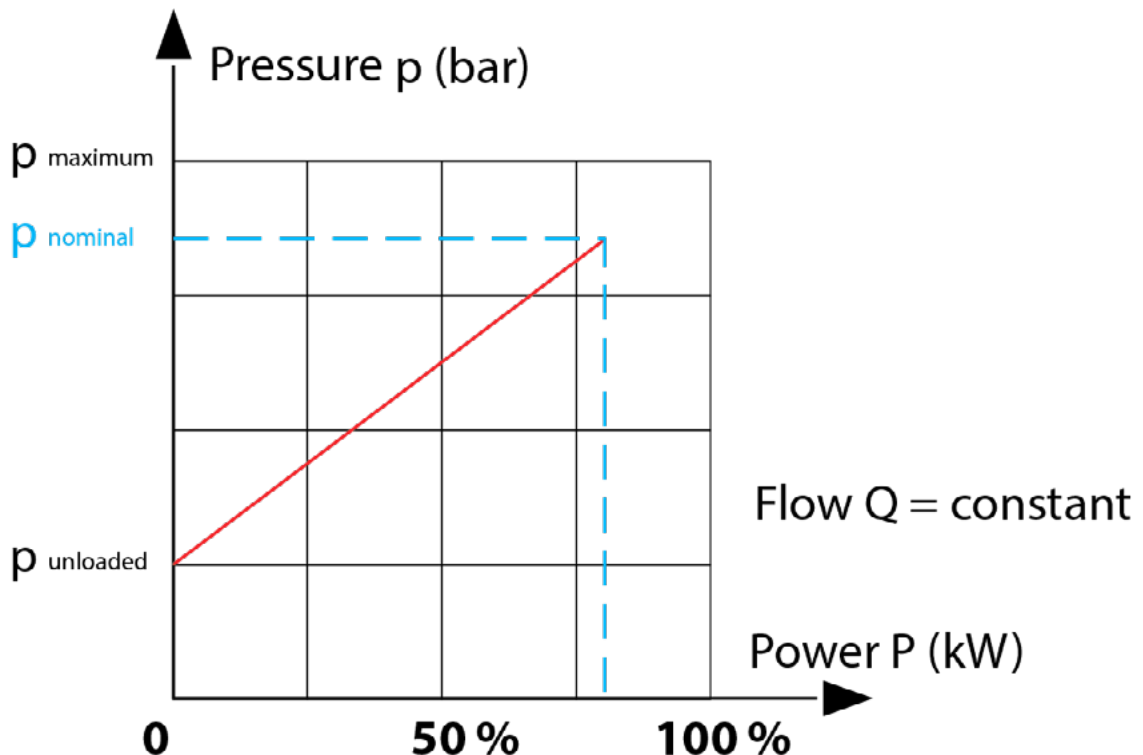
### HG45C, HG65C, HG80C



MODEL	DIMENSIONS, mm (in)								WEIGHT
	L	W	H	A	B	C	D	E	kg (lbs)
HG26G-E400SS23-79-K	641 (25.3)	323 (12.7)	374 (14.7)	383 (15)	194 (7.7)	220 (8.7)	-	Ø14 (0.55)	100 (220)
HG35G-E400SS23-100-K	742 (29.2)	323 (12.7)	374 (14.7)	428 (16.9)	196 (7.8)	220 (8.7)	-	Ø14 (0.55)	132 (290)
HG45C-E400SS23-90-K	964 (38)	392 (15.4)	480 (18.9)	204 (8)	455 (17.9)	340 (13.4)	-	Ø18 (0.7)	279 (614)
HG65C-E400SS23-120-K	1043 (42)	402 (15.4)	543 (18.9)	309 (12.2)	446 (17.9)	340 (13.4)	124 (4.7)	Ø18 (0.7)	316 (697)
HG80C-E400SS23-180-K	1086 (42.8)	392 (15.4)	480 (18.9)	309 (12.2)	439 (17.3)	340 (13.4)	120 (4.7)	Ø18 (0.7)	320 (705)

MODEL	PRESSURE LINE	RETURN LINE
	P	T
HG26G-E400SS23-79-K	BSP 3/4"	BSP 1"
HG35G-E400SS23-100-K	BSP 3/4"	BSP 3/4"
HG45C-E400SS23-90-K	BSP 1"	BSP 1"
HG65C-E400SS23-120-K	BSP 1"	BSP 1"
HG80C-E400SS23-180-K	BSP 1"	BSP 1"

### PRESSURE TO POWER RATIO



### TECHNICAL SPECIFICATIONS

		HG3,5S- E230SE23- 15-VF	HG5S- E230SE23- 21-VF	HG6,5E- E400SS23- 34-VF	HG10E- E400SS23- 49-VF
<b>OUTPUT CHARACTERISTICS</b>					
Output power	<b>kVA</b>	3,5	5	6,5	10
Output power at 140 bar	<b>kVA</b>	1.9	2.9	4.7	7.1
Output Voltage*	<b>V</b>	230 VAC	230 VAC	230/400 VAC	230/400 VAC
Nominal Current	<b>A</b>	15,2 / -	21,7/-	14,2/ 9,4	21,7/ 14,4
Frequency	<b>Hz</b>	50	50	50	50
Power factor	<b>cos φ</b>	1	1	0,8	0,8
Phase		1	1	1 / 3	1 / 3
IP (NEMA)		23 (3)	23 (3)	23 (3)	23 (3)
Voltage regulator		Capasitor	Capasitor	AVR	AVR
Socket	<b>1 phase / 3 phase / K cable</b>	2 / - / -	2 / - / -	2 / 1 / -	2 / 1 / -
<b>HYDRAULIC POWER REQUIREMENTS</b>					
Flow min.	<b>l/min (gpm)</b>	18 (4.8)	23 (6.1)	37 (9.8)	52 (13.8)
Flow max.	<b>l/min (gpm)</b>	23 (6.0)	35 (9.3)	55 (14.5)	78 (20.6)
Pressure at nominal power output	<b>bar (psi)</b>	230 (3300)	220 (3100)	180 (2600)	180 (2600)
Pressure max.	<b>bar (psi)</b>	250 (3600)	250 (3600)	210 (3000)	210 (3000)
Pressure when unloaded	<b>bar (psi)</b>	30 (440)	30 (440)	35 (510)	40 (580)
<b>HYDRAULIC FLUID REQUIREMENTS</b>					
Viscosity	<b>cSt</b>	10-200 / optimum 25-35			
Temperature**	<b>°C (°F)</b>	max. 70 (158)			
Filter ratio	<b>µm</b>	25 or better			
Cleanliness level	<b>ISO 4406</b>	19/17/14			
Cooling capacity requirements	<b>kW</b>	1,3	1,8	2,4	3,2

Gallons are U.S. liquid gallons

\* Models are also available by request for other 50 Hz voltage systems.

\*\* Depending on the hydraulic fluid.

VF = Model with F-type socket(s)

Other options available by request.

		HG12F- E400SS23- 54-VF	HG19F- E400SS23- 63-VF	HG19F- E400SS23- 79-VF
<b>OUTPUT CHARACTERISTICS</b>				
Output power	<b>kVA</b>	12	19	19
Output power at 140 bar	<b>kVA</b>	8.8	9	13
Output Voltage*	<b>V</b>	230/400 VAC	230/400	230/400
Nominal Current	<b>A</b>	26,1/ 17,3	41,4/27,4	41,4/27,4
Frequency	<b>Hz</b>	50	50	50
Power factor	<b>cos φ</b>	0,8	0,8	0,8
Phase		1 / 3	1 / 3	1 / 3
IP (NEMA)		23 (3)	23 (3)	23 (3)
Voltage regulator		AVR	AVR	AVR
Socket	<b>1 phase / 3 phase / K cable</b>	2 / 1 / -	1 / 2 / -	1 / 2 / -
<b>HYDRAULIC POWER REQUIREMENTS</b>				
Flow min.	<b>l/min (gpm)</b>	56 (14.8)	66 (17.4)	83 (21.9)
Flow max.	<b>l/min (gpm)</b>	84 (22.2)	99 (26.2)	113 (29.9)
Pressure at nominal power output	<b>bar (psi)</b>	180 (2600))	250 (3600)	190 (2750)
Pressure max.	<b>bar (psi)</b>	210 (3000)	260 (3750)	280 (4000)
Pressure when unloaded	<b>bar (psi)</b>	30 (440)	40 (580)	30 (440)
<b>HYDRAULIC FLUID REQUIREMENTS</b>				
Viscosity	<b>cSt</b>	10-200 / optimum 25-35		
Temperature**	<b>°C (°F)</b>	max. 70 (158)		
Filter ratio	<b>µm</b>	25 or better		
Cleanliness level	<b>ISO 4406</b>	19/17/14		
Cooling capacity requirements	<b>kW</b>	3,9	4,6	4,6

Gallons are U.S. liquid gallons

\* Models are also available by request for other 50 Hz voltage systems.

\*\* Depending on the hydraulic fluid.

VF = Model with F-type socket(s)

Other options available by request.

		HG26G- E400SS23- 79-K	HG35G- E400SS23- 100-K	HG45C- E400SS23- 90-K
<b>OUTPUT CHARACTERISTICS</b>				
Output power	<b>kVA</b>	26	35	45
Output power at 140 bar	<b>kVA</b>	13	16	15
Output Voltage*	<b>V</b>	230/400 VAC	230/400 VAC	230/400 VAC
Nominal Current	<b>A</b>	56,3/37,5	75/50,5	97,4/64,9
Frequency	<b>Hz</b>	50	50	50
Poxer factor	<b>cos φ</b>	0,8	0,8	0,8
Phase		1/3	1/3	1/3
IP (NEMA)		23 (3)	23 (3)	23 (3)
Voltage regulator		AVR	AVR	AVR
Socket	<b>1 phase / 3 phase / K cable</b>	- / - / K	- / - / K	- / - / K
<b>HYDRAULIC POWER REQUIREMENTS</b>				
Flow min.	<b>l/min (gpm)</b>	83 (21.9)	103 (27.2)	93 (24.6)
Flow max.	<b>l/min (gpm)</b>	113 (29.9)	133 (35.1)	123 (32.5)
Pressure at nominal power output	<b>bar (psi)</b>	250 (3600)	270 (3900)	370 (5350)
Pressure max.	<b>bar (psi)</b>	280 (4000)	280 (4000)	420 (6100)
Pressure when unloaded	<b>bar (psi)</b>	30 (440)	30 (440)	30 (440)
<b>HYDRAULIC FLUID REQUIREMENTS</b>				
Viscosity	<b>cSt</b>	10-200 / optimum 25-35		
Temperature**	<b>°C (°F)</b>	max. 70 (158)		
Filter ratio	<b>µm</b>	25 or better		
Cleanliness level	<b>ISO 4406</b>	19/17/14		
Cooling capacity requirements	<b>kW</b>	6,1	7,8	12

Gallons are U.S. liquid gallons

\* Models are also available by request for other 50 Hz voltage systems.

\*\* Depending on the hydraulic fluid.

Other options available by request.



		HG65C- E400SS23- 120-K	HG80C- E400SS23- 180-K
<b>OUTPUT CHARACTERISTICS</b>			
Output power	<b>kVA</b>	65	80
Output power at 140 bar	<b>kVA</b>	22	29
Output Voltage*	<b>V</b>	230/400 VAC	230/400 VAC
Nominal Current	<b>A</b>	140,7/93,8	173,2/115,4
Frequency	<b>Hz</b>	50	50
Power factor	<b>cos φ</b>	0,8	0,8
Phase		1/3	1/3
IP (NEMA)		23 (3)	23 (3)
Voltage regulator		AVR	AVR
Socket	<b>1 phase / 3 phase / K cable</b>	- / - / K	- / - / K
<b>HYDRAULIC POWER REQUIREMENTS</b>			
Flow min.	<b>l/min (gpm)</b>	123 (32.5)	183 (48.4)
Flow max.	<b>l/min (gpm)</b>	153 (40.4)	213 (56.3)
Pressure at nominal power output	<b>bar (psi)</b>	360 (5221)	330 (4750)
Pressure max.	<b>bar (psi)</b>	420 (6100)	420 (6100)
Pressure when unloaded	<b>bar (psi)</b>	30 (440)	30 (440)
<b>HYDRAULIC FLUID REQUIREMENTS</b>			
Viscosity	<b>cSt</b>	10-200 / optimum 25-35	
Temperature**	<b>°C (°F)</b>	max. 70 (158)	
Filter ratio	<b>µm</b>	25 or better	
Cleanliness level	<b>ISO 4406</b>	19/17/14	
Cooling capacity requirements	<b>kW</b>	16	24

Gallons are U.S. liquid gallons

\* Models are also available by request for other 50 Hz voltage systems.

\*\* Depending on the hydraulic fluid.

Other options available by request.



Menotie 3  
FI-33470 Ylöjärvi, Finland  
tel: +358 3 3488 200  
info@dynaset.com



#### ELECTRICITY

HG Hydraulic Generator  
HGV POWER BOX Variable Hydraulic Generator System  
HGV Variable Hydraulic Generator System  
HWG Hydraulic Welding Generator  
HGG Hydraulic Ground Power Generator



#### HIGH PRESSURE WATER

HPW Hydraulic High Pressure Water Pump  
HPW Hydraulic Power Washer  
KPL High Pressure Street Washing Unit  
HPW-DUSS High Pressure Dust Suppression System  
PPL High Pressure Pipe Cleaning Unit  
HDF Hydraulic Drilling Fluid Pump  
HPW-FIRE High Pressure Firefighting System  
FP Firefighting Piercing Kit  
JPL High Pressure Bin Washing System  
HSP Hydraulic Submersible Pump



#### COMPRESSED AIR

HK Hydraulic Piston Compressor  
HKR Hydraulic Screw Compressor  
HKL Hydraulic Rotary Vane Compressor



#### VACUUM

HCF Hydraulic Centrifugal Fan  
HRVB Hydraulic Recycling Vacuum Bucket



#### MAGNET POWER

HMG PRO Hydraulic Magnet Generator  
MAG Lifting Magnet  
HMAG PRO Hydraulic Magnet



#### VIBRATION

HVB Hydraulic Vibra  
HVD Hydraulic Directional Vibra  
HRC Hydraulic Reversal Cylinder



#### POWER BOOSSING

HPI Hydraulic Pressure Intensifier  
HPIC Hydraulic Pressure Intensifier for Cylinder



#### KNOW-HOW

Hydraulic Power Take-off (PTO)  
Installation Valves  
HMV Hydraulic Modular Valve System  
HHK Hydraulic Grinder  
HV Hydraulic Winch & HVY Hydraulic Winch Unit  
De-Icing Technology  
HEU Hydraulic Expansion Unit  
HPU Hydraulic Power Unit  
HRU Hydraulic Rescue Unit

[www.dynaset.com](http://www.dynaset.com)

