

DATA SHEET

HYDRAULIC PRESSURE INTENSIFIERS FOR CYLINDER



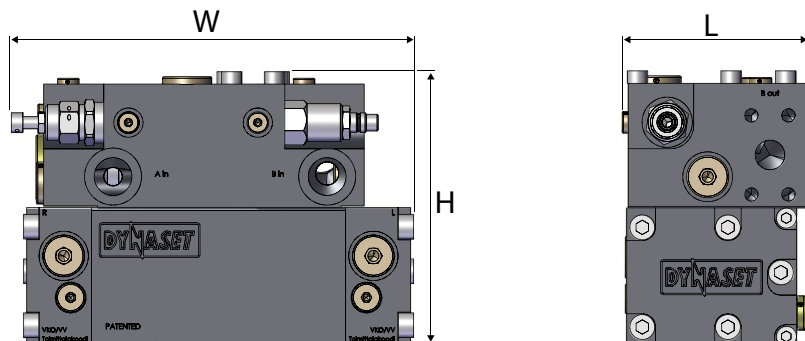
HPIC 700/10-60

HPIC 700/30-100

HPIC 700/30-200

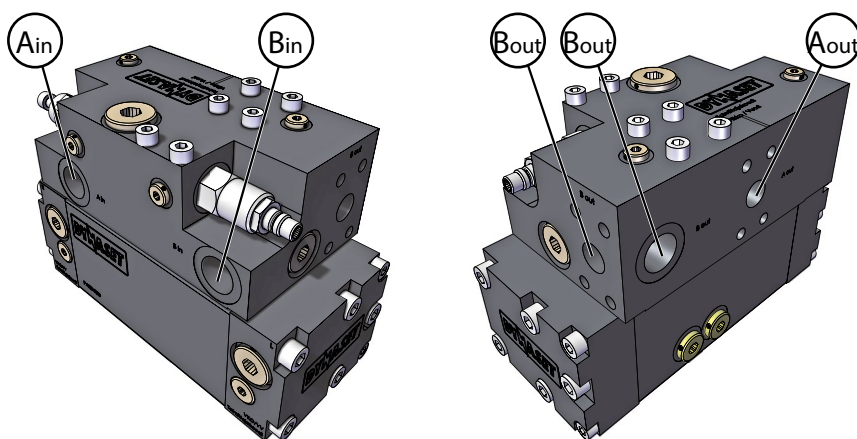
HPIC 700/30-300

DIMENSIONS



MODEL	DIMENSIONS, mm (in)			WEIGHT
	L	W	H	kg (lbs)
HPIC 700/10-60	79 (3.1)	225 (8.9)	154 (6.1)	13.5 (29.8)
HPIC 700/30-100	124 (4.9)	261 (10.3)	177 (7.0)	29 (63.9)
HPIC 700/30-200	124 (4.9)	261 (10.3)	187 (7.4)	30 (66.1)
HPIC 700/30-300	124 (4.9)	261 (10.3)	187 (7.4)	30 (66.1)

CONNECTION PORTS



MODEL	HYDRAULIC IN		HYDRAULIC OUT		
	A in	B in	A out	B out 1	B out 2
HPIC 700/10-60	BSP 1/2"	BSP 1/2"	BSP 1/4", SAE 10000 PSI 1/2"	BSP 1/2"	BSP 1/2"
HPIC 700/30-100	BSP 3/4"	BSP 3/4"	BSP 3/4" SAE 1"	BSP 3/4"	SAE 3/4", BSP 1/2"
HPIC 700/30-200	BSP 1"	BSP 1"	BSP 3/4" SAE 1"	BSP 1"	SAE 1", BSP 1/2"
HPIC 700/30-300	BSP 1"	BSP 1"	BSP 3/4" SAE 1"	BSP 1"	SAE 1", BSP 1/2"

PARAMETERS

		HPIC 700 /10-60	HPIC 700 /30-100	HPIC 700 /30-200	HPIC 700 /30-300
DISCHARGE CHARACTERISTICS					
Output flow max.	l/min (gal)	10 (2.6)	30 (7.9)	30 (7.9)	30 (7.9)
Output Pressure max.	bar (psi)	700 (10000)	700 (10000)	700 (10000)	700 (10000)
HYDRAULIC POWER REQUIREMENTS					
Oil flow max.	l/min (gpm)	60 (15.8)	100 (26.4)	200 (52.8)	300 (79.3)
Pressure max.	bar (psi)	350 (5000)	350 (5000)	350 (5000)	350 (5000)
Starting pressure (default)	bar (psi)	250 (3600)	250 (3600)	250 (3600)	250 (3600)
HYDRAULIC FLUID REQUIREMENTS					
Viscosity	cSt	10-200 / optimum 25-35			
Temperature *	° C (° F)	max. 70 (160)			
Filter ratio	µm	25 or better			

Gallons are U.S. liquid gallons

* Depending on hydraulic fluid.